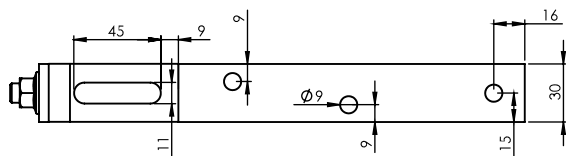
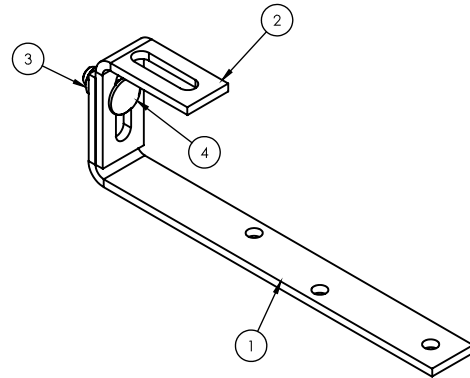
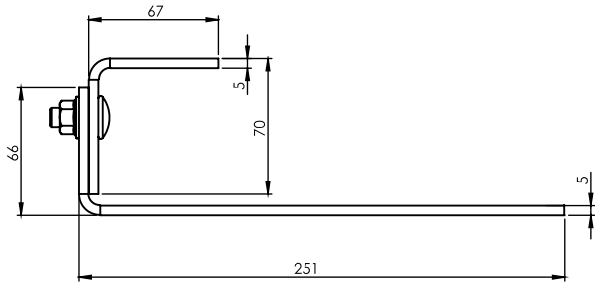


# TECHNICAL CARD

Adjustable roof hook  
J-type



KTM Z-BD-2003

**MATERIAL** Sainless steel, 1.4016,

**WEIGHT** 0,48 kg,

**SURFACE FINISH** Mill finish

**PURPOSE** The hook is designed for mounting the structure for panels photovoltaic panels on pitched roofs covered with shingles or roofing felt.

**MOUNTING HOLES** Top bean hole - 45x11 mm; lower holes -  $\varnothing 9$  mm